

USER MANUAL

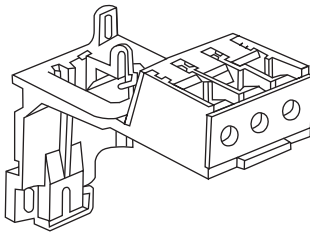
CRA Overload relay independent mounting kit

CMBA09-25/ CMBA32/ CMBA40-80

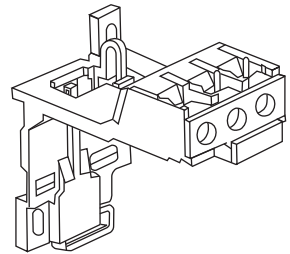


Disconnect all power before installing, modifying or servicing equipment.
Electric shock will result in death or serious injury.

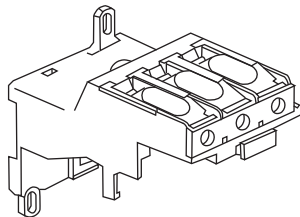
Only skilled & qualified personnel should carry out the following operations and must adhere to all appropriate national, regional and local standards applicable



CMBA09-25
(CRA09-CRA25)

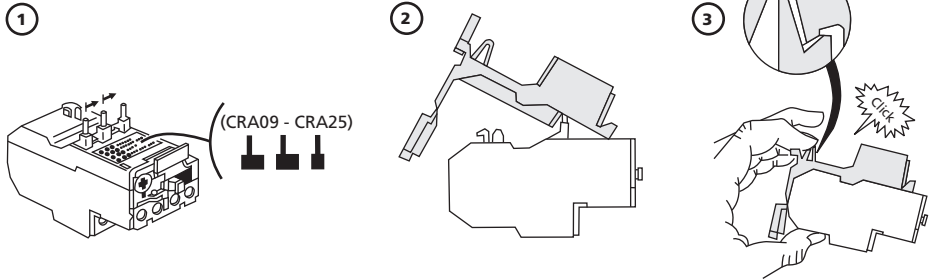


CMBA32
(CRA32)

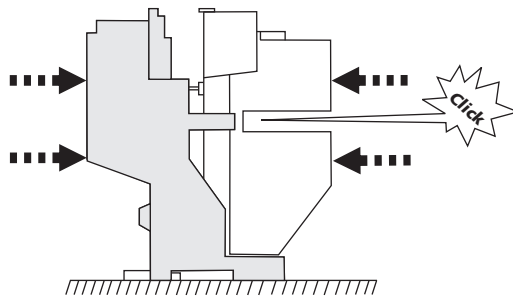


CMBA40-80
(CRA40-CRA95)

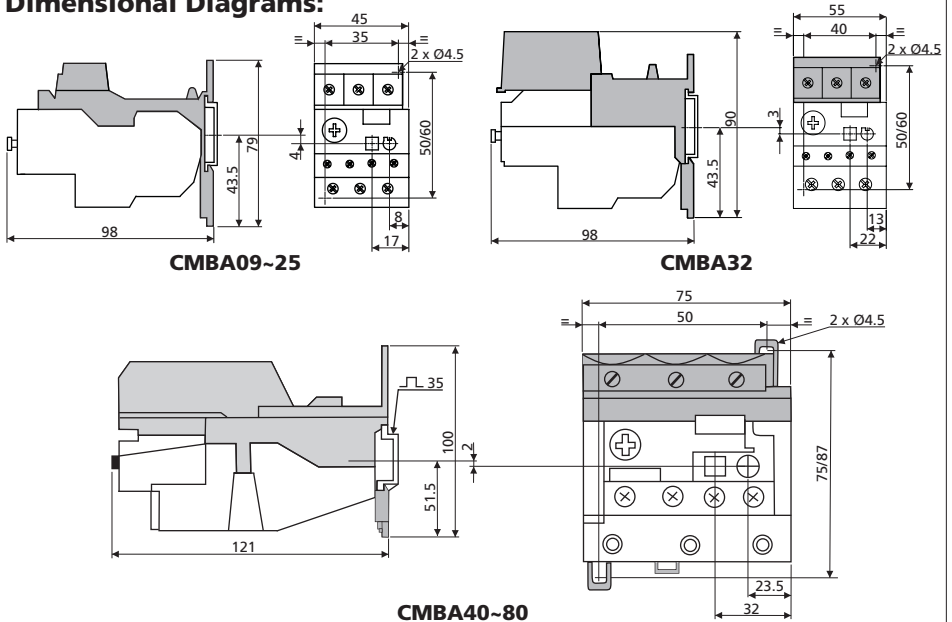
CMBA09-25/ CMBA32



CMBA40-80



Dimensional Diagrams:



XXXXXX



Crompton Controls Ltd.

Monckton Road, Wakefield, West Yorkshire WF2 7AL
 Phone: +44 (0)1924 368251 Fax: +44 (0)1924 367274
 E-mail: sales@cromptoncontrols.co.uk, www.cromptoncontrols.co.uk