

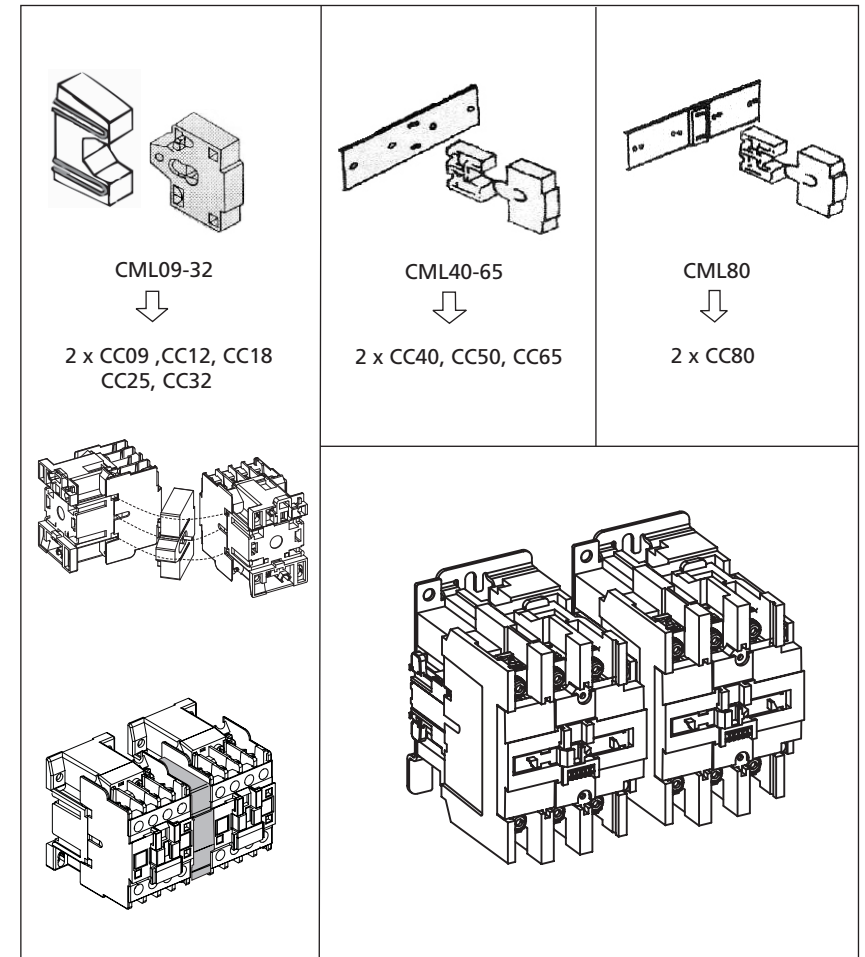
USER MANUAL

Mechanical Interlock

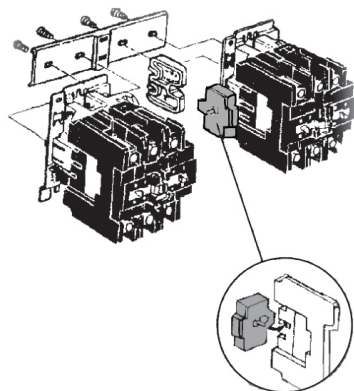
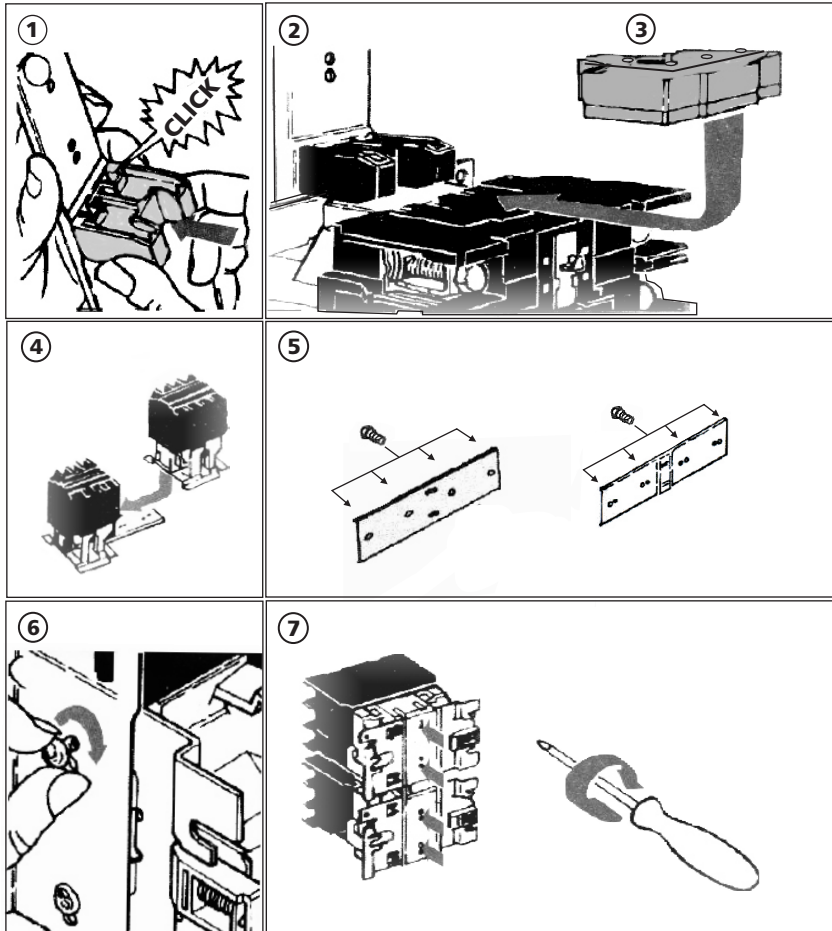
CML09-32, CML40-65, CML80



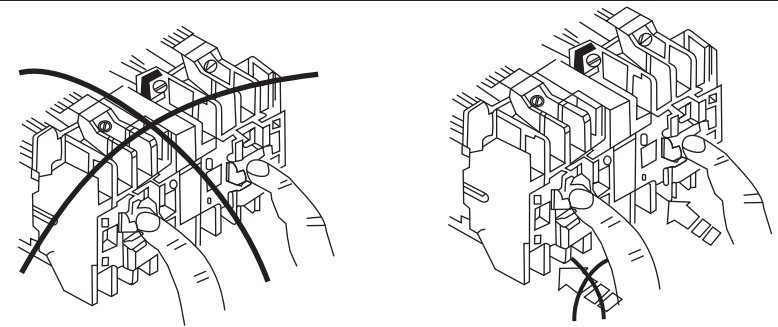
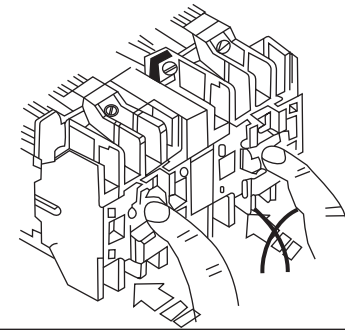
Disconnect all power before installing, modifying or servicing equipment.
Electric shock will result in death or serious injury.
Only skilled & qualified personnel should carry out the following operations and must adhere to all appropriate national, regional and local standards applicable



CML40-65, CML80



Test Control:



Contactor Interlocking Combination:

	CC09	CC12	CC18	CC25	CC32	CC40	CC50	CC65	CC80
CC09	●	●	●	●	●				
CC12	●	●	●	●	●				
CC18	●	●	●	●	●				
CC25	●	●	●	●	●				
CC32	●	●	●	●	●				
CC40						●	●	●	
CC50						●	●	●	
CC65						●	●	●	
CC80									●