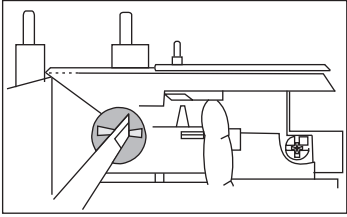
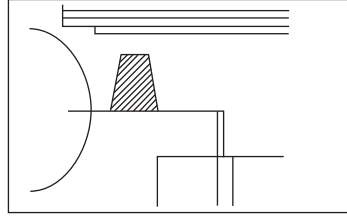


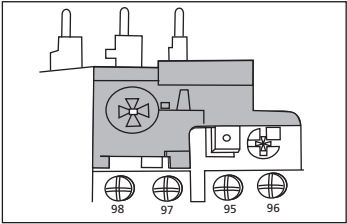
① Overload Adjustment



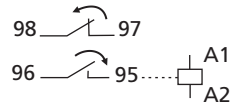
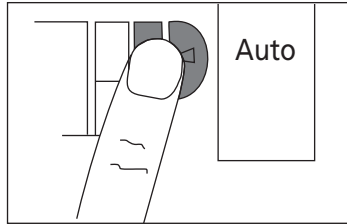
④ Trip Indicator



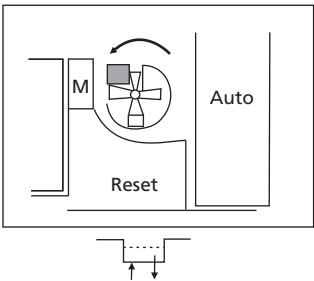
② Sealing Cover



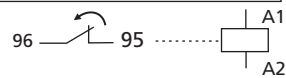
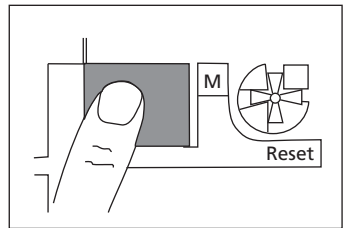
⑤ Reset Function



③ Manual Auto Reset



⑥ Stop Function



XXXXX



Crompton Controls Ltd.

Monckton Road, Wakefield, West Yorkshire WF2 7AL
 Phone: +44 (0)1924 368251 Fax: +44 (0)1924 367274
 E-mail: sales@cromptoncontrols.co.uk, www.cromptoncontrols.co.uk

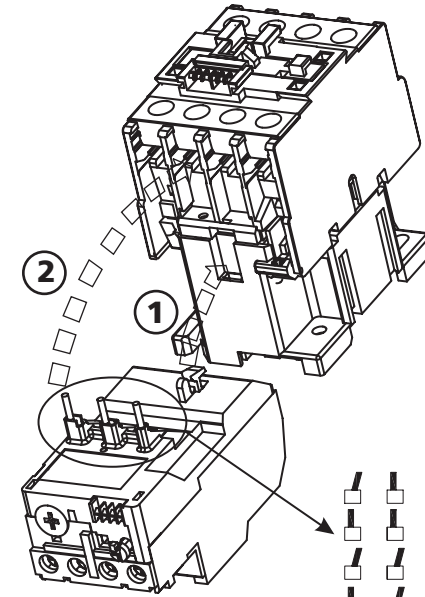
USER MANUAL

Thermal Overload Relay

CRA09~32

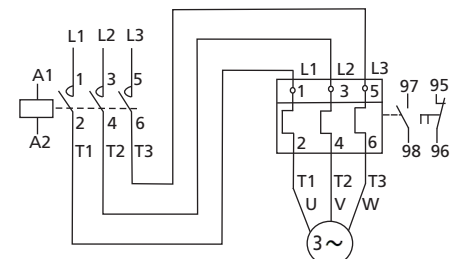
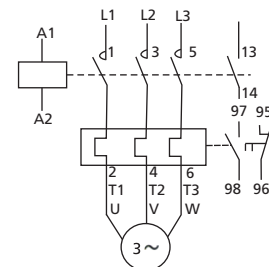


Disconnect all power before installing, modifying or servicing equipment. Electric shock will result in death or serious injury. Only skilled & qualified personnel should carry out the following operations and must adhere to all appropriate national, regional and local standards applicable



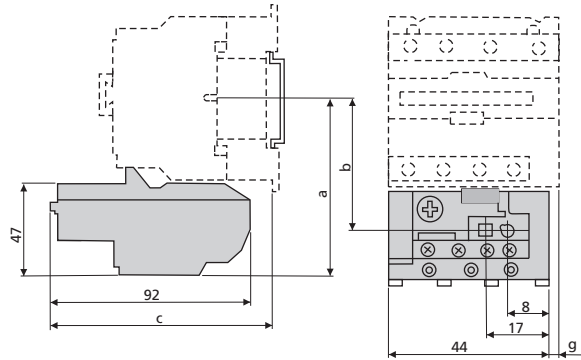
- CC32
- CC25/CMBA09-25
- CC18
- CC09-12

Pins positions for mounting



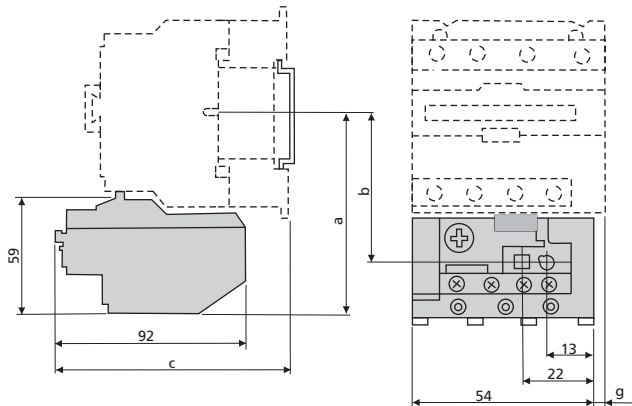
Dimensional Diagrams:

CRA09~25



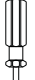


	CC+CRA09~25		
	CC09 CC12 CC18	CC25	CC32
a	81	86	86
b	50	55	55
c	98	108	109
g	0	10.7	8.1

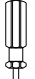


CRA32



	CC+CRA32	
	CC25	CC32
a	97.5	97.5
b	60	60
c	98	98
g	1.5	0.5

Wiring Capability:

Screw Plate	Load Terminals		Head Type	CRA09~25	CRA32		
	Solid Wire	mm ²	Combi-head (Slot/Phillips)	2 x 1...6	2 x 1.5...10	Ø 6	Phillips No.2
	Stranded Wire	mm ²		2 x 0.75...4	2 x 1.5...6		
	AWG Wire			2 x 18...10	2 x 18...10		
	Standard Gauge			A5 / B4	A5 / B5		
	Tightening Torque	Nm/lb.in		1.85 / 16.4	2.5 / 22.1		
	Tightening Torque(UL)	lb.in		15	20		

Screw Plate	Auxiliary Terminals		Head Type	CRA09~32			
	Solid Wire	mm ²	Combi-head (Slot/Phillips)	2 x 1...2.5		Ø 6	Phillips No.2
	Stranded Wire	mm ²		2 x 0.75...1.5			
	AWG Wire			2 x 18...14			
	Standard Gauge			A2 / B2			
	Tightening Torque	Nm/lb.in		1.2 / 10.6			
	Tightening Torque(UL)	lb.in		7			

CAUTION

Terminal screws must be tightened at recommended torque and checked frequently. All strands of cable shall go into the terminal of each phase.

Control Circuit Test (Trip Test):

